

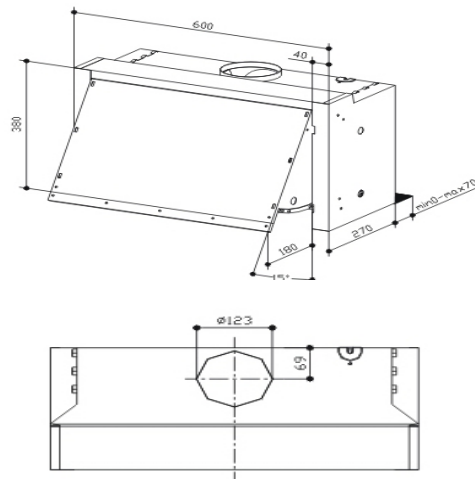
COOKERS

appliances

Product Code	HDI62SV
Description	60cm Integrated hood
Colour	Grey
Barcode	5060056564180

Features / Specification

Hood width	600mm
Fan speeds	3
Extraction rate	210 m3/hr
Lights	1 x 25W standard bulb
Grease filter	Acrylic filter
Controls	Slider
Noise level max	61 dBA
Recirculation	1 x rectangular carbon filter mat required - not supplied
Carbon filter order code	HDFM010
Extraction	Ducting kit required - not supplied
Logo	Unbranded
Motor rating	220-240V, 50 Hz
Motor qty / type	1 x 120W
Air outlet diameter	120 mm



Dimensions & Technical Information

Product Dimensions	Width x depth x height (mm)	600 x 270 x 380
Chimney extension	Width x depth (mm)	n/a
Packed Dimensions	Width x depth x height (mm)	655 x 320 x 430
Weight	Packed / unpacked (kg)	10.5 / 9

Electrical connection	Cable without plug
Maximum load	TBC

Delivery Details

Container quantity 40ft	640
Delivery details	ex works

Date	20.04.07 - Issue 1
------	--------------------